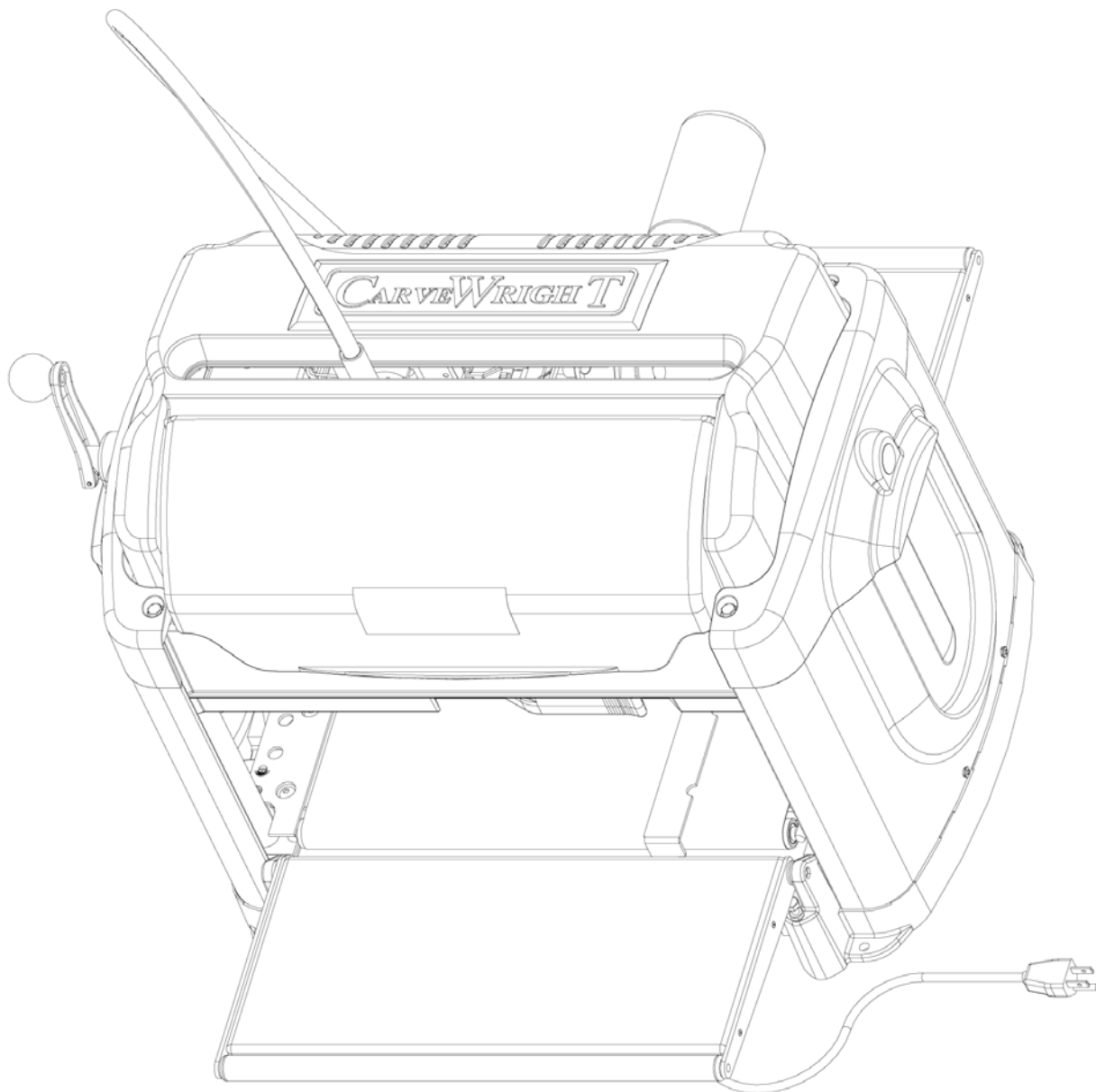


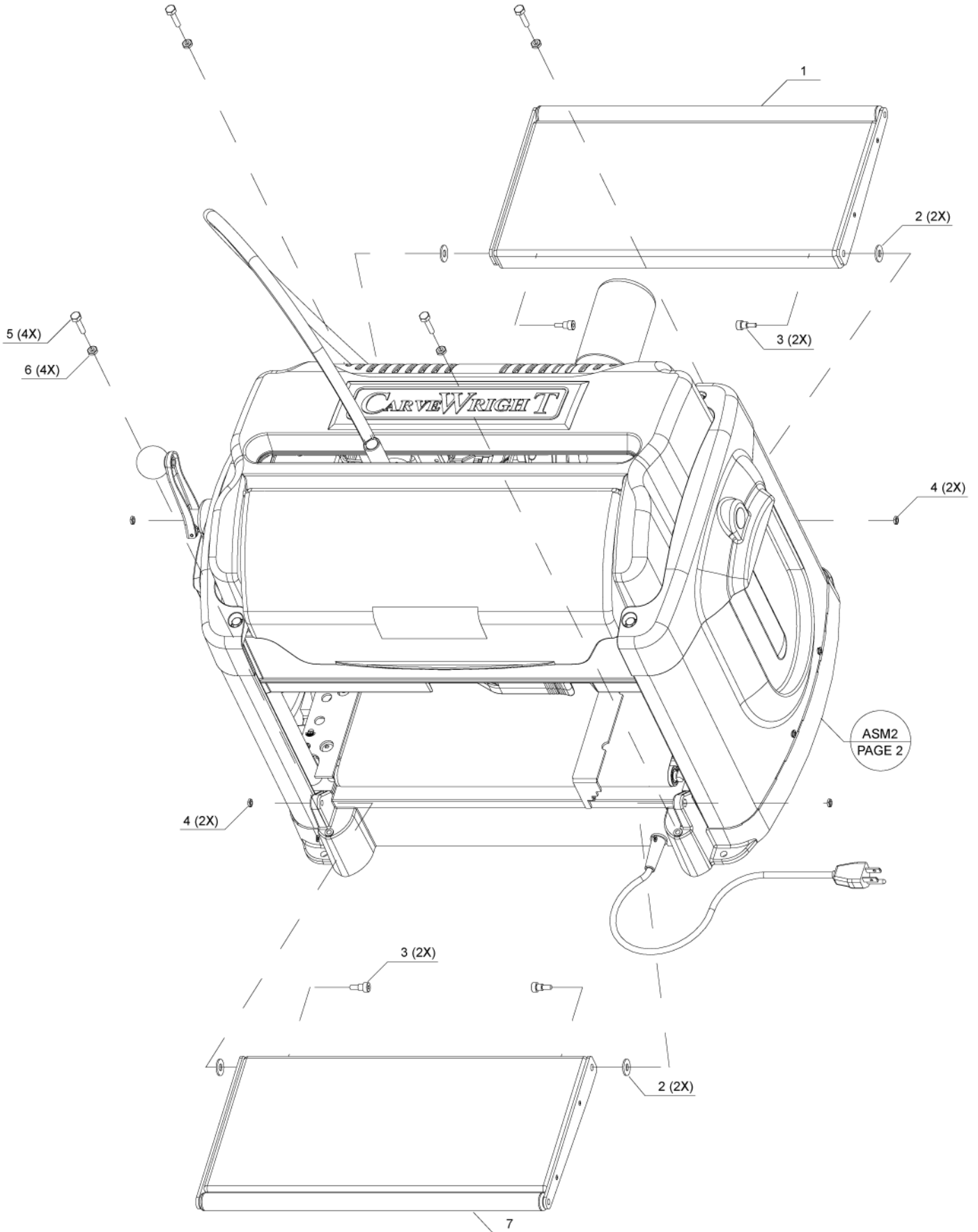
CarveWright Woodworking System

Assembly Guide and Parts List

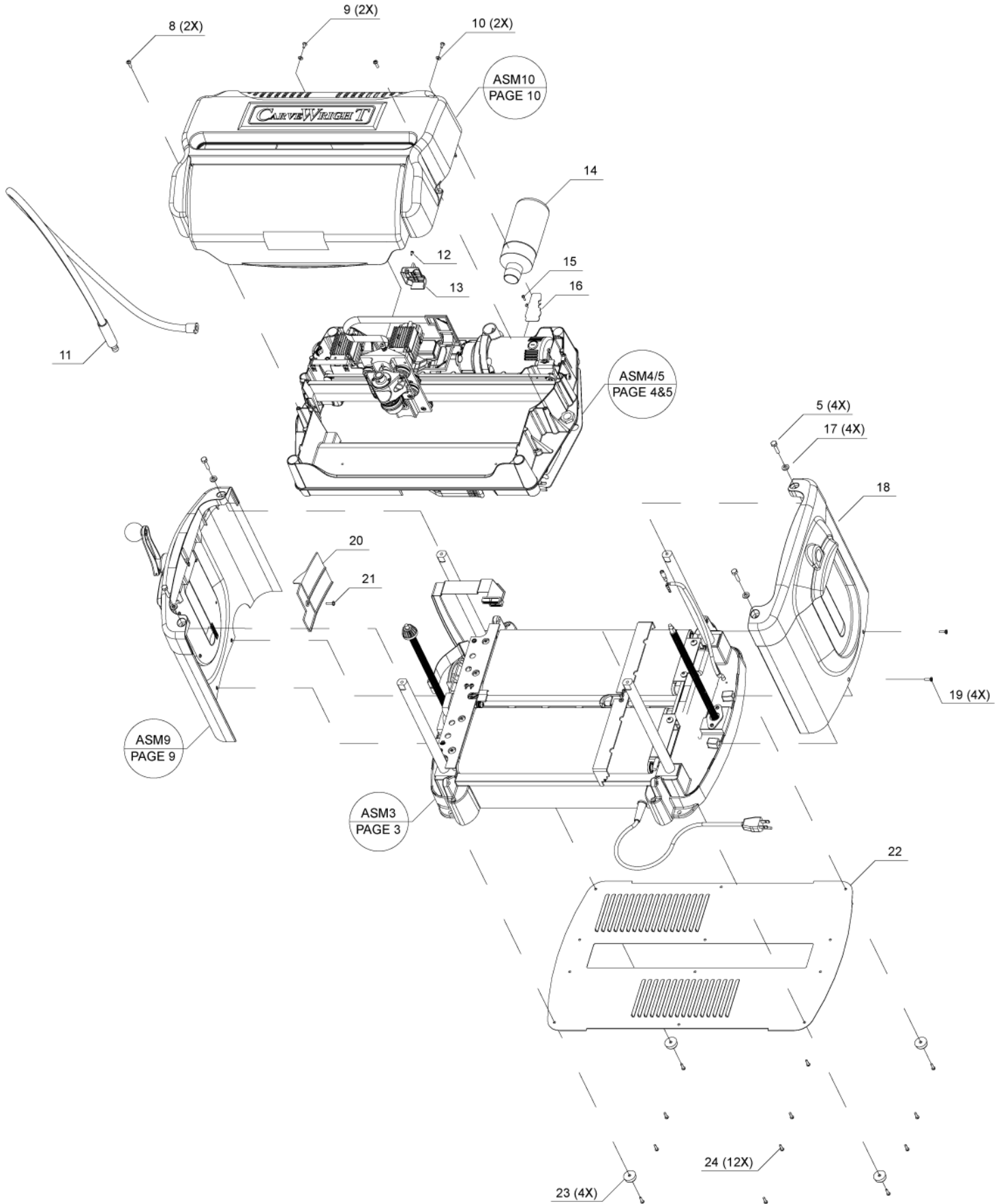
Patented 2005



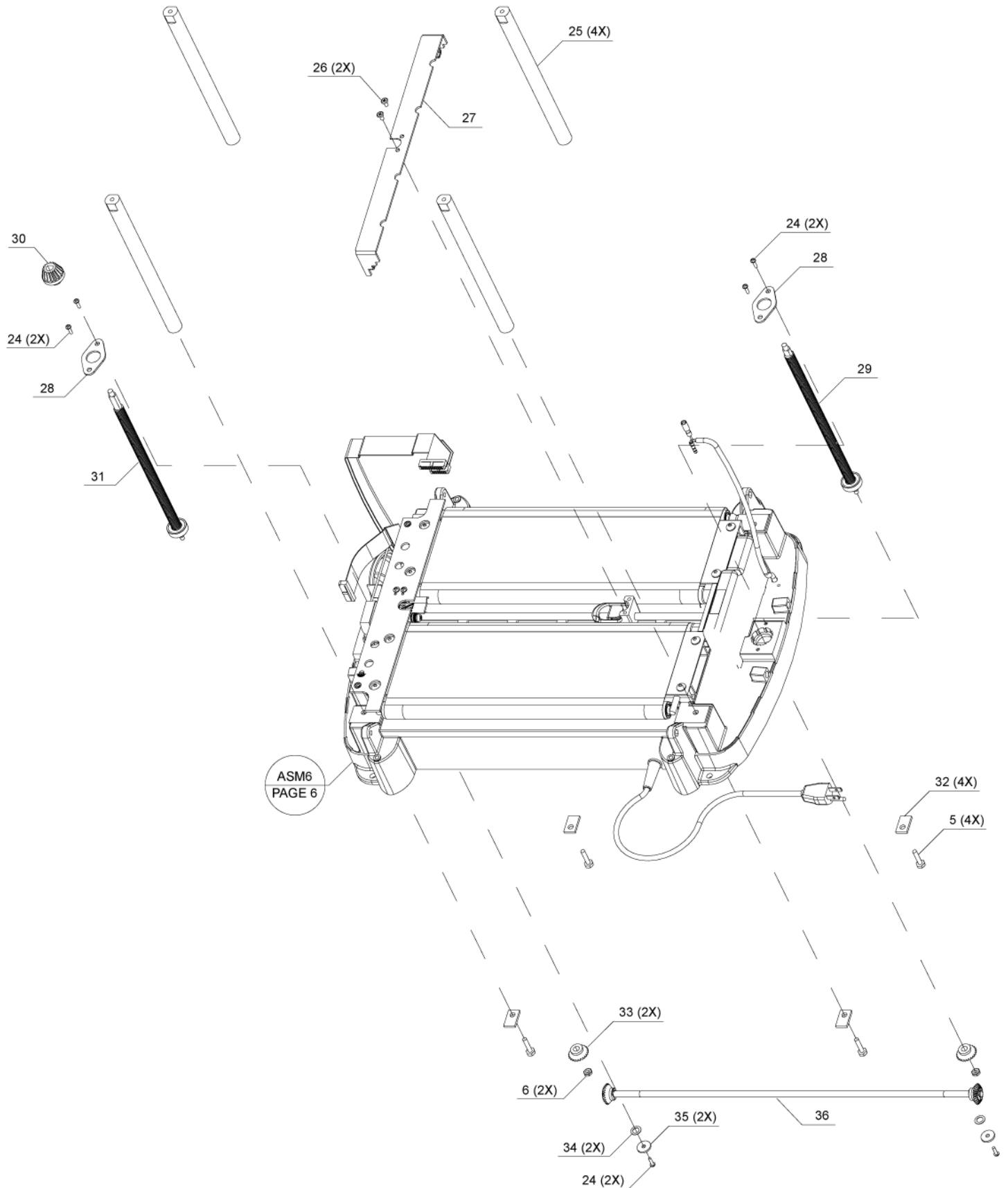
Outfeed Tray Assembly (ASM1)



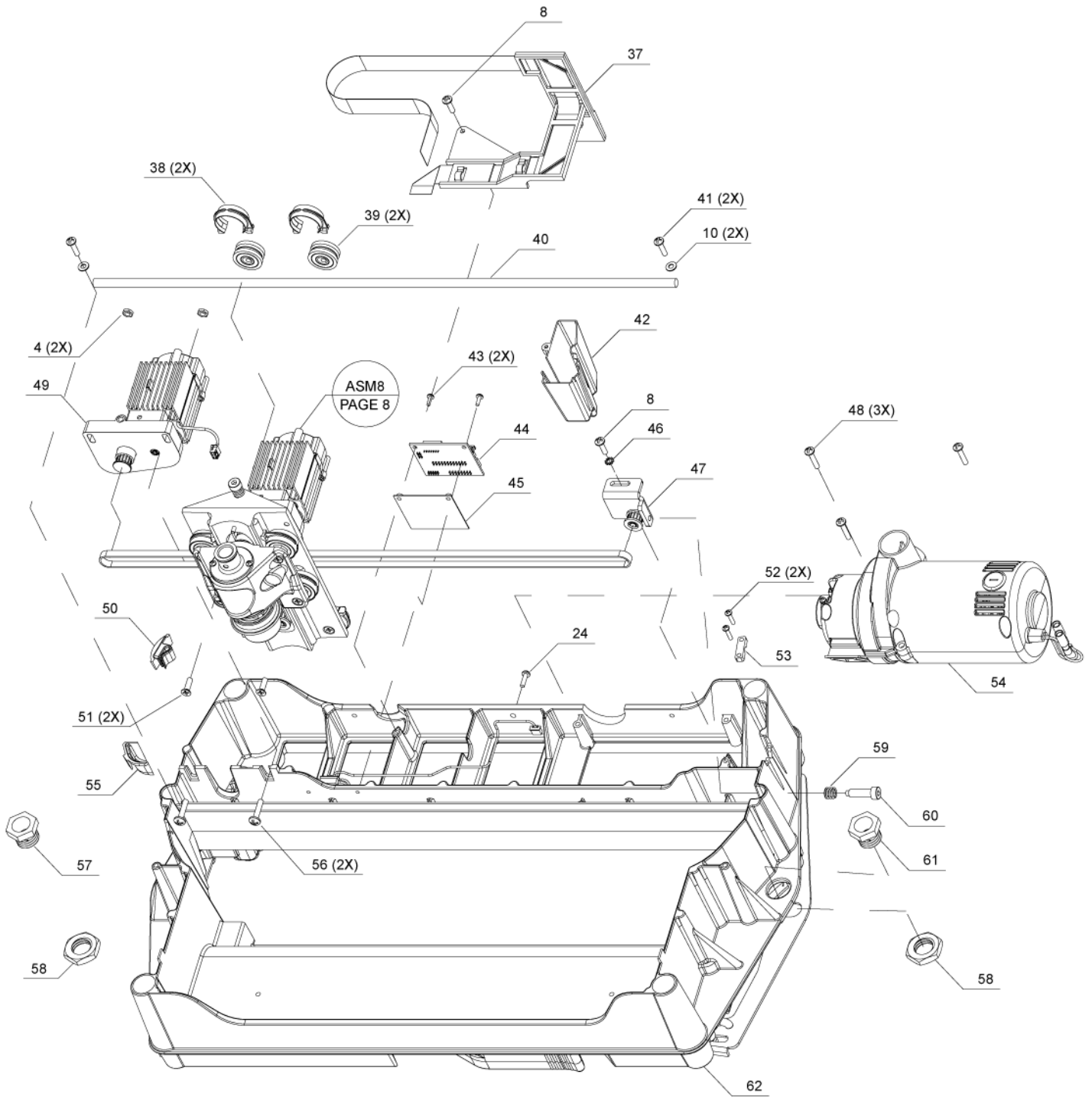
Main Assembly - W/O Trays (ASM2)



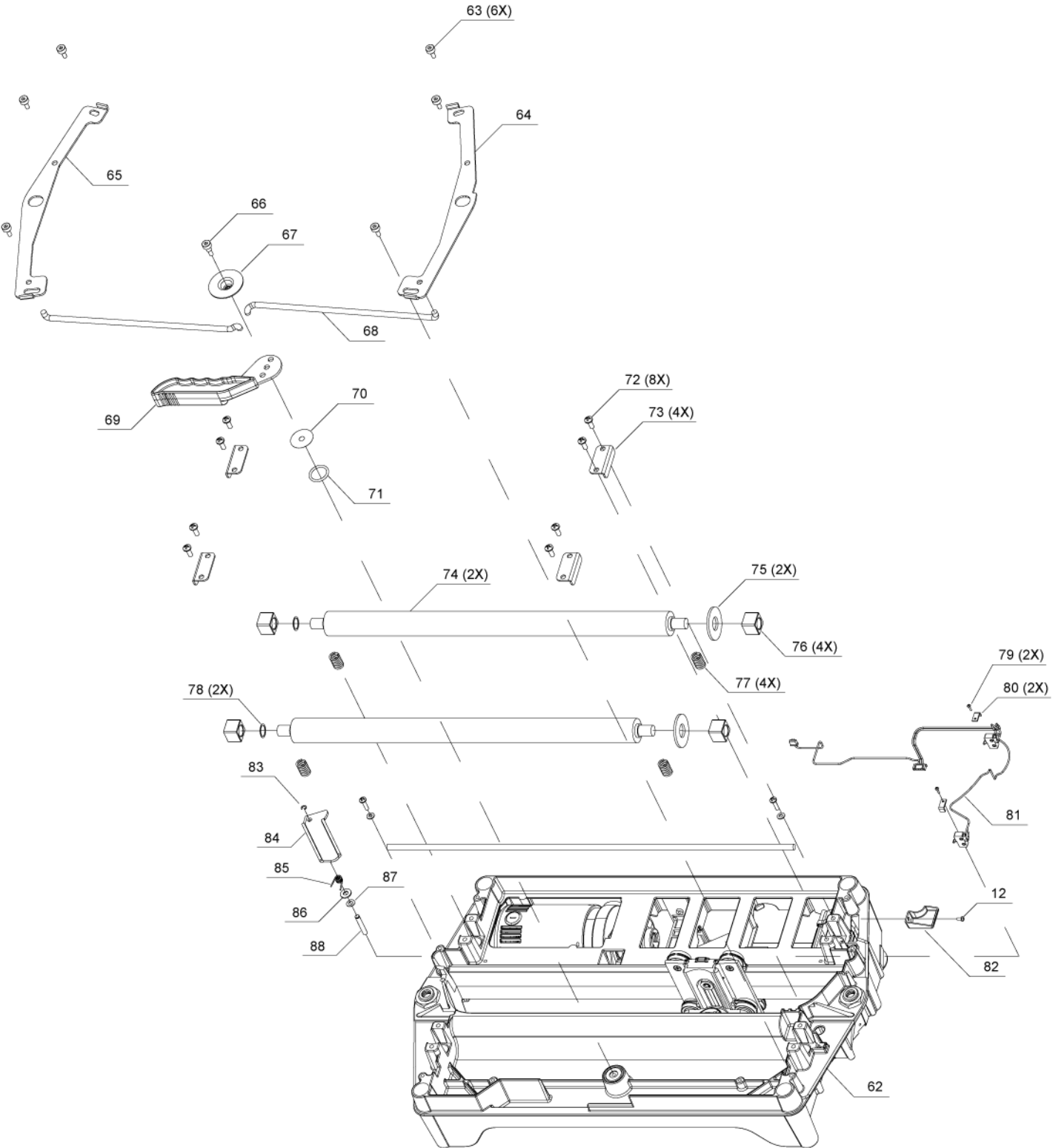
Main Structure Assembly (ASM3)



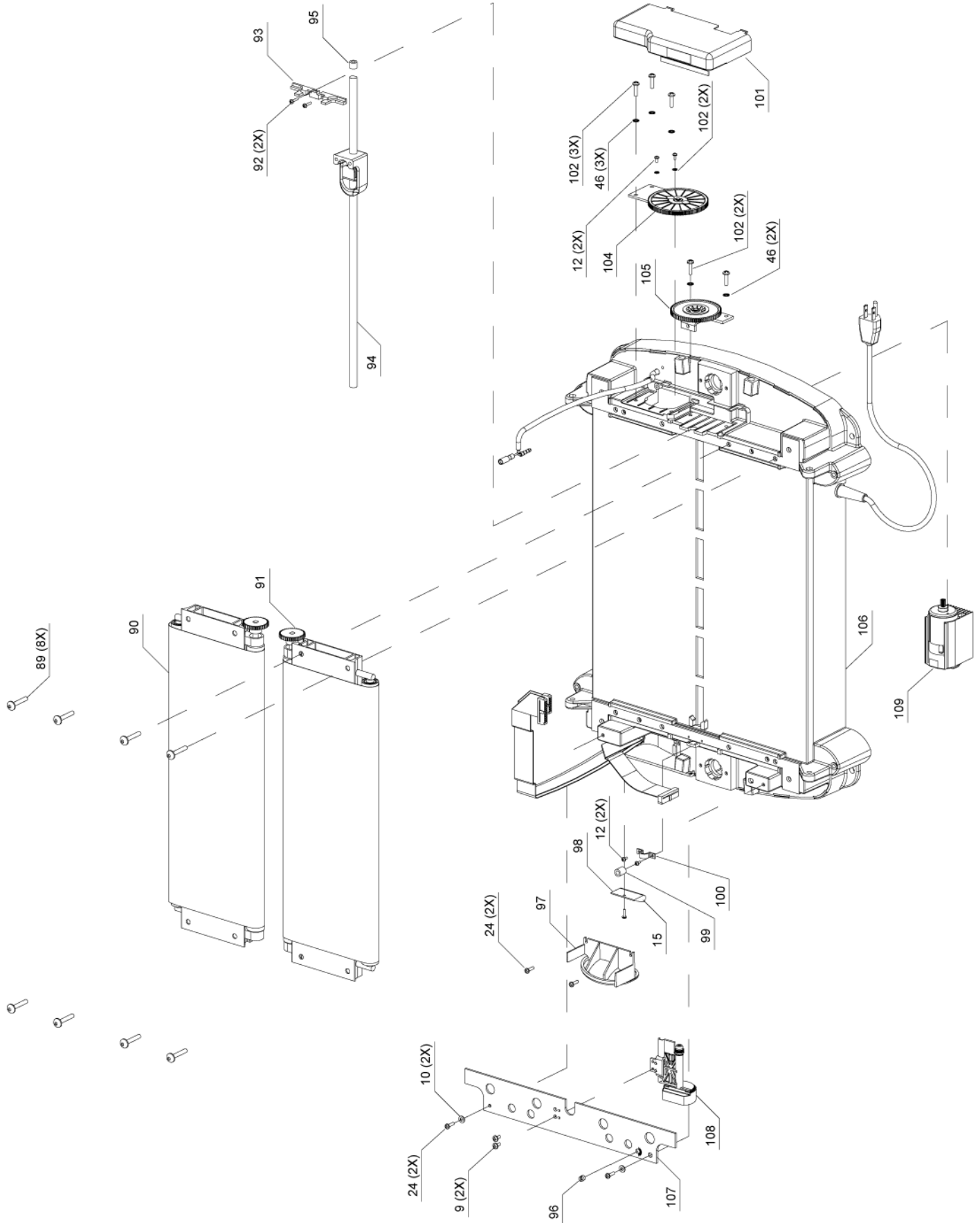
Head Assembly – Top (ASM4)



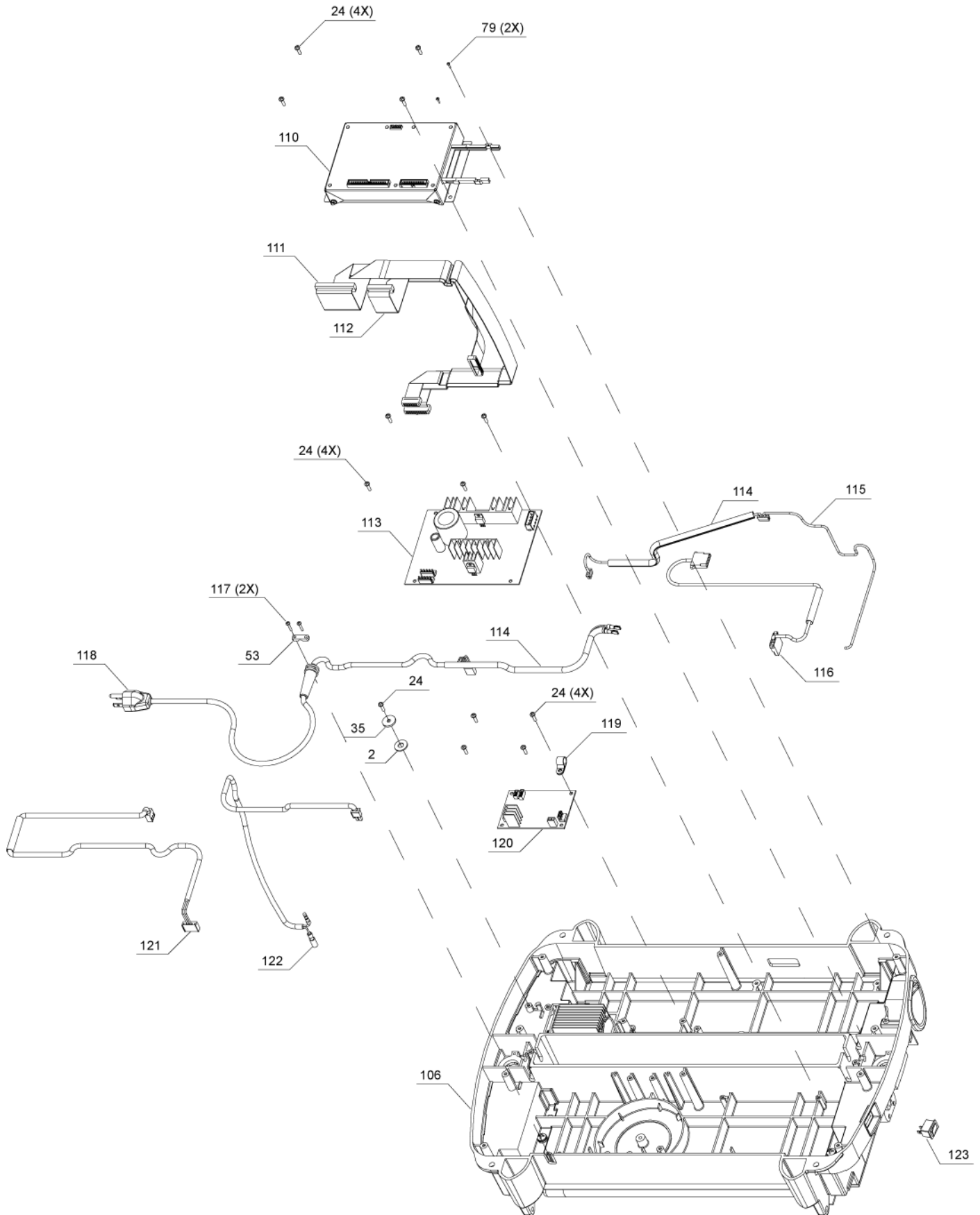
Head Assembly - Bottom (ASM5)



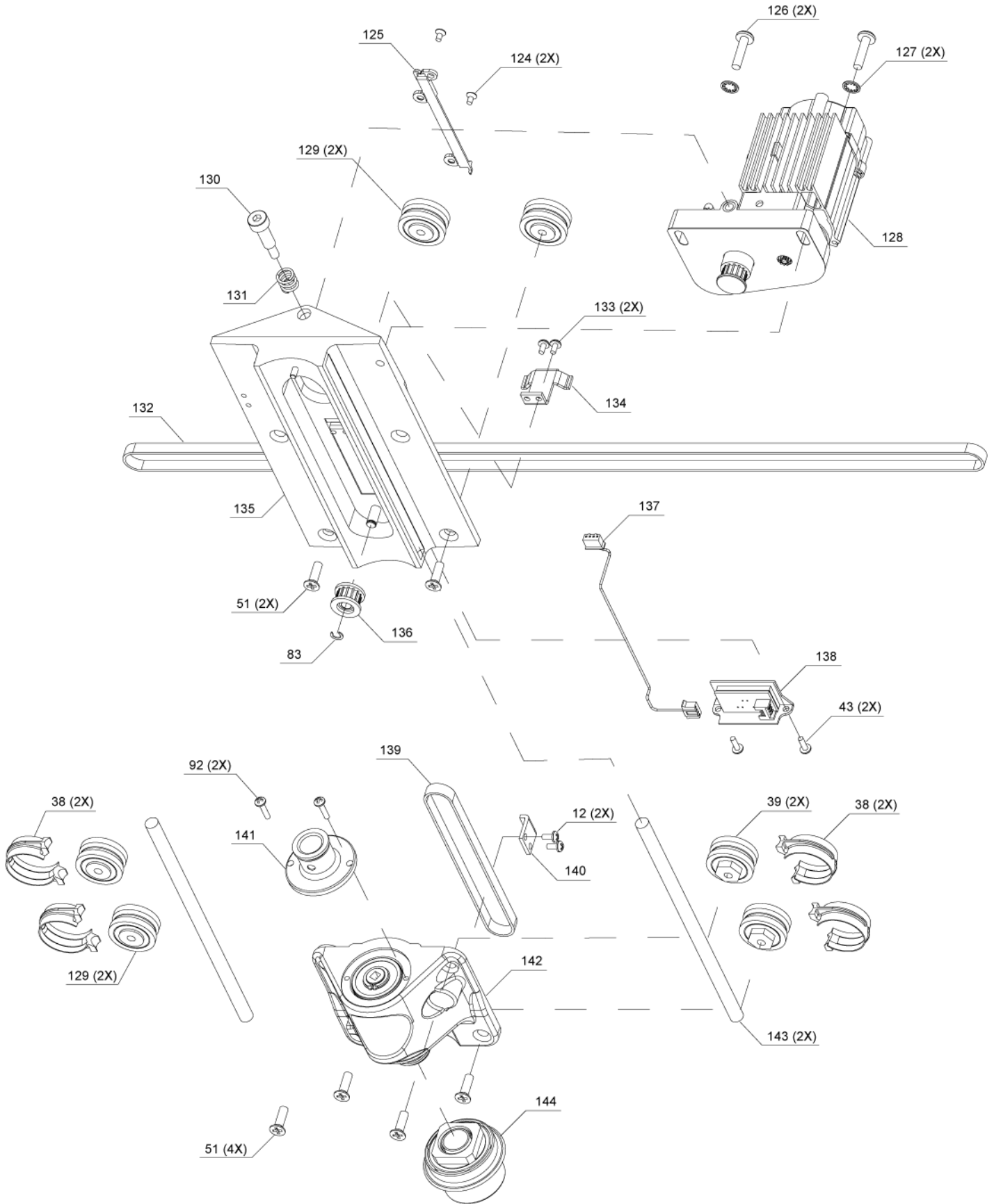
Base Assembly - Top (ASM6)



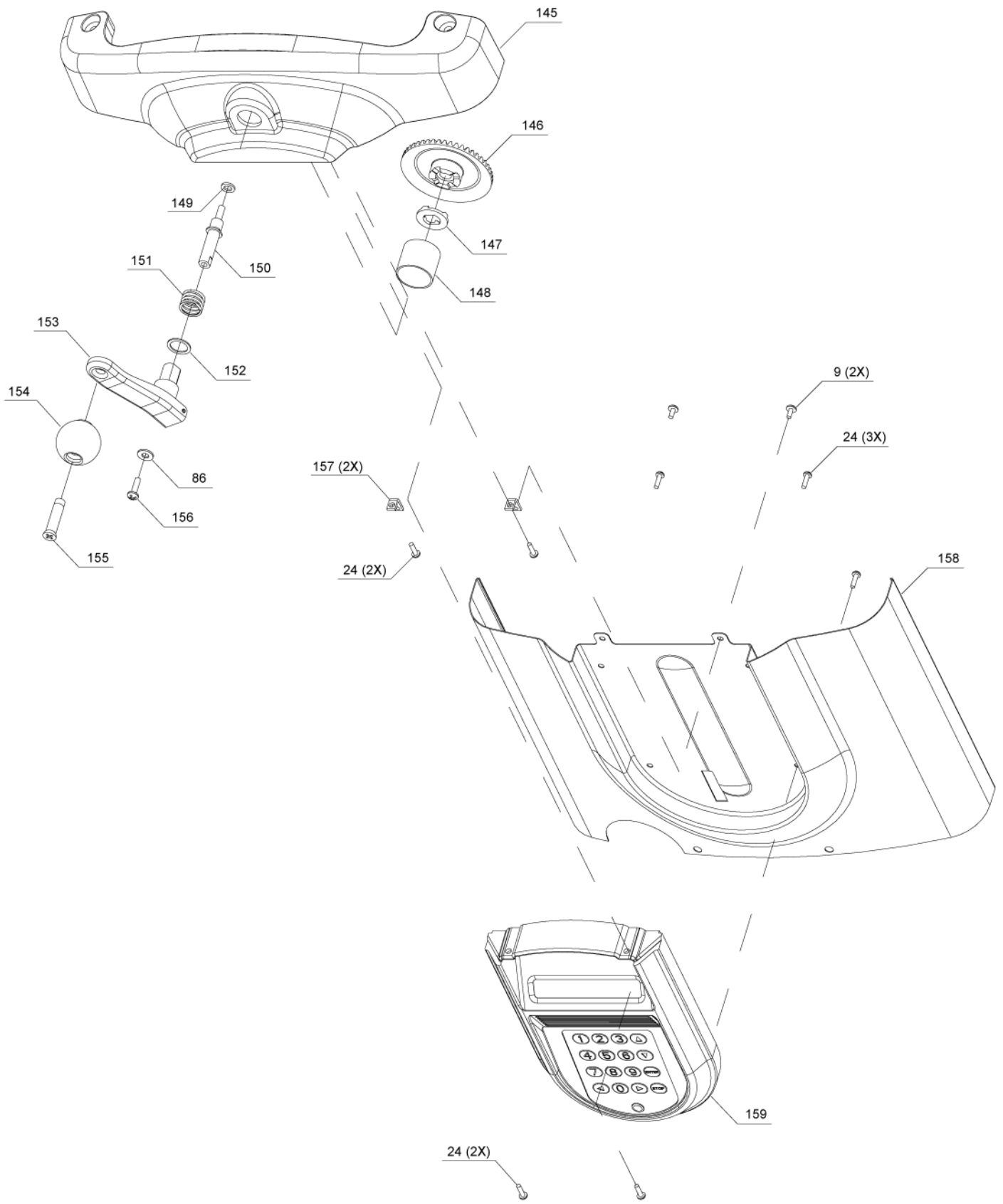
Base Assembly - Bottom (ASM7)



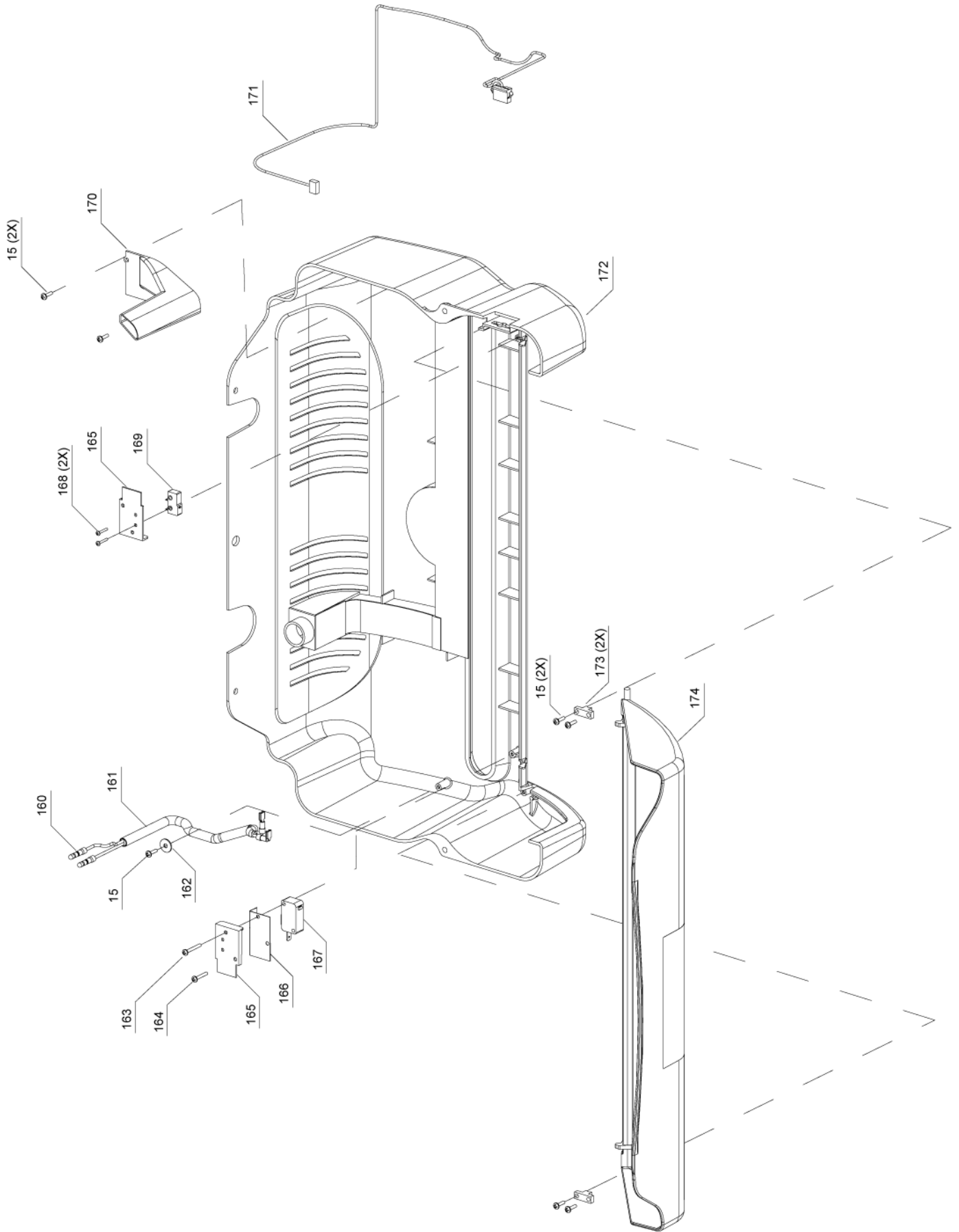
Y/Z Truck Assembly (ASM8)



Side Panel and Crank Assembly (ASM9)



Head Cover Assembly (ASM10)



Parts List

#	Drawing Name	LHR Part#	Page
ASM1	Outfeed Tray Assembly	MWM A2001	1
ASM2	Main Assembly (W/O Trays)		2
ASM3	Main Structure Assembly	MWM A2002	3
ASM4	Head Assembly - Top	MWM A2003	4
ASM5	Head Assembly - Bottom	MWM A2003	5
ASM6	Base Assembly - Top	MWM A2028	6
ASM7	Base Assembly - Bottom	MWM A2028	7
ASM8	Y/Z Truck Assembly		8
ASM9	Side Panel and Crank Assembly		9
ASM10	Head Cover Assembly	MWM A2120	10
1	Outfeed Table Assembly - Back Side	MWM A2004	1
2	Outfeed Tray Rubber Washers	MWM P1241	1
3	Screw, Cap Head, Shoulder, M5x.8 x6 Long, 7mm shoulder, 10 mm long	SCMR-5.0-0.80CB-10AB-0706	1
4	Nut - M5 x .8, Jam Nut Style	NUMJM5-.80AC	1
5	Machine Screw, Hex Head, M6 x 24 mm Long	SCMM-6.0-1.00HX-24AB	1
6	Nut - M6 x 1.0, Jam Nut Style	NUMJM6-1.0AC	1
7	Outfeed Table Assembly - Power Cord Side	MWM A2075	1
8	Thread Forming Screws - Pan Head, Trilobe Type, For Use in Aluminum, M4 x 14mm Long	SCMT-4.0-0.70PA-14AB	2
9	Machine Screw - Pan Head, M4 x 08mm Long	SCMM-4.0-0.70PA-08AB	2
10	Washer - ID For M4 Screw, OD 09mm, Thk 0.8mm	WAMF-M4-09x0.8-AB	2
11	Spindle Flexshaft Assembly	MWM A2045	2
12	Machine Screw - Pan Head, M3 x 06mm Long	SCMM-3.0-0.50PA-06AB	2
13	Z Motor Mount Cable Guard	MWM P1291	2
14	Vacuum Bag Assembly	MWM A2116	2
15	Thread Forming Screws - PT Type, Pan Head, For Use in Plastic, M3 x 10mm Long	SCMP-3.0-0.86PA-10AB	2
16	AC Motor Bay Cap	MWM P1311	2
17	Washer - ID For M6 Screw, OD 13mm, Thk 1.8mm	WAMF-M6-13x1.8-AB	2
18	Closeout Right Assembly	MWM A2005	2
19	Thread Forming Screws - PT Type, Oval Head, For Use in Plastic, M4 x 14mm Long	SCMP-4.0-1.04VA-14AB	2
20	Side Panel Wire Protector	MWM P1265	2
21	Thread Forming Screws - PT Type, Pan Head, For Use in Plastic, M4 x 14mm Long	SCMP-4.0-1.04PA-14AB	2
22	Base Closeout	MWM P1002	2
23	Rubber Foot	MWM P1161	2
24	Thread Forming Screws - PT Type, Pan Head, For Use in Plastic, M4 x 12mm Long	SCMP-4.0-1.04PA-12AB	2
25	Vertical Guide Rod	MWM P1003	3
26	Machine Screw - Truss Head, M5 x 8mm Long	SCMM-5.0-0.80TA-08AB	3
27	Sliding Plate Top Mount	MWM P1014	3
28	Leadscrew Bearing Retainer	MWM P1041	3
29	Lockdown Leadscrew Assembly Left Hand Thread	MWM A2047	3
30	Crank Bevel Gear - 16 Tooth	MWM P1086	3
31	Lockdown Leadscrew Assembly Right Hand Thread	MWM A2030	3
32	Vertical Guide Rod Bottom Clamp Plate	MWM P1194	3
33	Leadscrew Bevel Gear	MWM P1093	3
34	Washer - For spacing leadscrew tierods	MWM P1315	3
35	Washer - ID For M4 Screw, OD 18mm, Thk 2.3mm	WAMF-M4-18x2.3-AB	3
36	Lockdown Leadscrew Tierod Assembly	MWM A2029	3

37	FFC Wire Guide	MWM A2113	4
38	Roller Bearing Sweeper	MWM P1162	4
39	Roller Bearing Adjustable Assembly	MWM A2020	4
40	Y-Track Roller Rod	MWM P1017	4
41	Thread Forming Screws - Pan Head, Trilobe Type, For Use in Aluminum, M4 x 16mm Long	SCMT-4.0-0.70PA-16AB	4
42	AC Motor Bay Cup	MWM P1310	4
43	Machine Screw - Pan Head, M3 x 08mm Long	SCMM-3.0-0.50PA-08AB	4
44	Head Termination Electronics Board Assembly	MWM A2060	4
45	Head Termination E-Board Insulator	MWM P1133	4
46	Washer - Internal Star Locking Type for M4.0 Screw	WAMSI-M4.0-AB	4
47	Y-Belt Tensioner Assembly	MWM A2010	4
48	Thread Forming Screws - Pan Head, Trilobe Type, For Use in Aluminum, M4 x 20mm Long	SCMT-4.0-0.70PA-20AB	4
49	Y Motor Mount Assembly	MWM A2052	4
50	Head Cover Wire Retainer	MWM P1292	4
51	Machine Screw - CSK Head, M5 x 14mm Long, 90 degree csk, special M4 head	SCMM-5.0-0.80FA-14AB-SP	4
52	Thread Forming Screws - Pan Head, Trilobe Type, For Use in Aluminum, M3 x 13mm Long	SCMT-3.0-0.50PA-13AB	4
53	Power Cord Tiedown	MWM P1142	4
54	Spindle Motor Assembly	MWM A2011	4
55	Blow Port Deflector	MWM P1239	4
56	Machine Screw - Pan Head, M5 x 20mm Long	SCMM-5.0-0.80PA-20AB	4
57	Lockdown Leadscrew Nut - LH	MWM P1298	4
58	Leadscrew Jam Nut	MWM P1307	4
59	Compression Spring - Y Belt Tension	MWM P1232	4
60	Screw, Cap Head, Shoulder, M5x.8 x6 Long, 6mm shoulder, 20 mm long	SCMR-5.0-0.80CB-03AB-0620	4
61	Lockdown Leadscrew Nut - RH	MWM P1297	4
62	Head Casting Aluminum	MWM P1127	4
63	Screw, Cap Head, Shoulder, M5x.8 x9 Long, 6mm shoulder, 2.5 mm long	SCMR-5.0-0.80CB-09AB-062.5	5
64	Lockdown Clamp Arm - Left	MWM P1052	5
65	Lockdown Clamp Arm - Right	MWM P1078	5
66	Screw, Cap Head, Shoulder, M5x.8 x6 Long, 6mm shoulder, 6.6 mm long	SCMR-5.0-0.80CB-09AB-0606.6	5
67	Lockdown Drawrod Retainer Disk	MWM P1137	5
68	Lockdown Drawrod	MWM P1051	5
69	Lockdown Lever Handle Assembly	MWM A2067	5
70	Lockdown Handle O-Ring Protector	MWM P1306	5
71	Lockdown Handle O-ring	MWM P1245	5
72	Thread Forming Screws - Pan Head, Trilobe Type, For Use in Aluminum, M5 x 13mm Long	SCMT-5.0-0.80PA-13AB	5
73	Top Comp Roller Bushing Retainer	MWM P1020	5
74	Roller Upper Idle Assembly (w/rubber)	MWM A2012	5
75	Roller Switch Dust Guard	MWM P1277	5
76	Top Comp Roller Bushing - Square	MWM P1019	5
77	Compression Spring - Compression Roller Preload	MWM P1231	5
78	Compression Roller Spacer Washer	MWM P1313	5
79	Machine Screw - Pan Head, M2 x 08mm Long	SCMM-2.0-0.40PA-08AB	5
80	Roller Switch Retainer	MWM P1197	5
81	Roller Sensors Cable Assembly	MWM C1010	5
82	Head FFC Retainer	MWM P1122	5
83	Retaining E-Clip, For 5mm External Shaft Diameter	P008-00067	5
84	Bit Tip Locator Plate	MWM P1281	5
85	Bit Tip Locator Plate Spring	MWM P1282	5
86	Washer - ID For M5 Screw, OD 13mm, Thk 1.4mm	WAMF-M5-13x1.4-AB	5
87	Washer - Curved Spring for M5 Screw	WAMC-M5-AB	5

88	Bit Tip Locator Shaft	MWM P1280	5
89	Machine Screw - Pan Head, Hex Drive, M6 x 30 mm Long	SCMM-6.0-1.00PB-30AB	6
90	X- Drive Conveyor Back Assembly	MWM A2034	6
91	X- Drive Conveyor Front Assembly	MWM A2033	6
92	Machine Screw - Pan Head, M3 x 12mm Long	SCMM-3.0-0.50PA-12AB	6
93	X- Drive Dust Guard	MWM P1302	6
94	Squaring Plate Assembly	MWM A2046	6
95	Sliding Plate Damper Spring	MWM P1303	6
96	Strongback Adjustment Screw	MWM P1159	6
97	PCMCIA Slot Cover	MWM P1131	6
98	Base FFC Retainer	MWM P1123	6
99	Board Tracking Encoder Damper	MWM P1279	6
100	Squaring Plate Guide Rod Retainer	MWM P1202	6
101	X-Drive Shroud	MWM P1076	6
102	Sheetmetal Screws - Pan Head, M4.5 x 16mm Long	SCMS-4.5-1.50PA-16AC	6
103	Washer - External Star Locking Type for M3 Screw	WAMSE-M3.0-AB	6
104	X - Drive Motor Mount Assembly	MWM A2036	6
105	X - Drive Idler Gear Stage 2 Assembly	MWM A2049	6
106	Base Casting Assembly	MWM A2032	6
107	Squaring Plate Strongback	MWM P1013	6
108	Board Tracking Encoder Assembly	MWM A2076	6
109	X-Drive Motor Pack	MWM A2080	6
110	Controller Board Enclosure Assembly	MWM A2065	7
111	Ribbon Cable to Head	MWM C1022	7
112	LCD/Keypad Cable	MWM C1002	7
113	Power Supply Board Assembly	MWM A2038	7
114	Flexible Corrugated Conduit	P007-00012	7
115	X Drive Aux Encoder Cable	MWM C1015	7
116	DC Supply Cable	MWM C1004	7
117	Thread Forming Screws - PT Type, Pan Head, For Use in Plastic, M3 x 14mm Long	SCMP-3.0-0.86PA-14AB	7
118	Power Cord	MWM C1008	7
119	Cable Clamp	P007-00011	7
120	X Termination	MWM A2074	7
121	AC Power to X-Drive Termination Cable	MWM C1024	7
122	Spindle Motor Power Cable	MWM C1006	7
123	Power Rocker Switch	P007-00008	7
124	Machine Screws - CSK Head, M3 x 5mm Long, 90 degree csk	SCMM-3.0-0.50FA-05AB	8
125	Board Cable Guard	MWM P1289	8
126	Machine Screw - Pan Head, M5 x 18mm Long	SCMM-5.0-0.80PA-18AB	8
127	Washer - Internal Star Locking Type for M5.0 Screw	WAMSI-M5.0-AB	8
128	Z Motor Mount Assembly	MWM A2017	8
129	Roller Bearing Fixed Assembly	MWM A2021	8
130	Screw, Cap Head, Shoulder, M5x.8 x6 Long, 6mm shoulder, 16 mm long	SCMR-5.0-0.80CB-09AB-0616	8
131	Compression Spring - Z Belt Tension	MWM P1233	8
132	Belt Synchronous Drive - 3mm Pitch, GT Profile, 315 Tooth, 6mm Wide	P008-00033	8
133	Machine Screw - Pan Head, M3 x 05mm Long	SCMM-3.0-0.50PA-05AB	8
134	Y-Belt Retaining Clamp	MWM P1072	8
135	Y-Truck	MWM P1036	8
136	Y-Belt Idle Pulley Assembly	MWM A2016	8
137	Board Sensor Cable	MWM C1025	8
138	Board Sensor Board Assembly	MWM A2019	8

139	Belt Synchronous Drive - 3mm Pitch, GT Profile, 81 Tooth, 6mm Wide	P008-00034	8
140	Z-Belt Retaining Clamp	MWM P1097	8
141	Flexshaft Pivot Assembly	MWM A2118	8
142	Z-Track Assembly	MWM A2015	8
143	Z-Track Roller Rod	MWM P1037	8
144	Quick Change Assembly	A005-00033	8
145	Lateral Stabilizer Casting Assembly	MWM A2040	9
146	Crank Bevel Gear - 48 Tooth	MWM P1083	9
147	Crank Torque Plate	MWM P1085	9
148	Clutch Dust Shroud	MWM P1293	9
149	Crank Gear Spacer	MWM P1287	9
150	Crank Lever Shaft	MWM P1077	9
151	Compression Spring - Crank Clutch	MWM P1228	9
152	Clutch Spacer Washer	MWM P1314	9
153	Crank Handle Assembly	MWM A2042	9
154	Crank Lever Handle - Round	MWM P1278	9
155	Crank Handle Shaft	MWM P1099	9
156	Machine Screw - Pan Head, M5 x 16mm Long	SCMM-5.0-0.80PA-16AB	9
157	Side Panel Capture Nut	MWM P1286	9
158	Side Closeout Panel - Left	MWM P1006	9
159	Control Panel Assembly	MWM A2043	9
160	AC Cutoff Switch Cable	MWM C1007	10
161	3/8" PVC tubing .022" wall	P007-00014	10
162	Washer - ID For M3 Screw, OD 12mm, Thk 0.9mm	WAMF-M3-12x0.9-AB	10
163	Thread Forming Screws - PT Type, Pan Head, For Use in Plastic, M3 x 20mm Long	SCMP-3.0-0.86PA-20AB	10
164	Thread Forming Screws - PT Type, Pan Head, For Use in Plastic, M3 x 16mm Long	SCMP-3.0-0.86PA-16AB	10
165	Top Cover Switch Shroud	MWM P1152	10
166	AC Power Interrupt Switch Shield	MWM P1201	10
167	AC Interrupt Micro Switch without lever DMC Series	P007-00007	10
168	Thread Forming Screws - PT Type, Pan Head, For Use in Plastic, M2.2 x 12mm Long	SCMP-2.2-0.71PA-12AB	10
169	Micro Switch without lever	P007-00006	10
170	Blow Port Duct	MWM P1168	10
171	Cover Sensors Cable	MWM C1009	10
172	Closeout Top Rear - CarveWright	MWM P1317	10
173	Top Cover Hinge Pin Retainer	MWM P1151	10
174	Front Head Cover Assembly	MWM A2070	10